



!



1	1
2	1
3	1
3.1	1
3.2	2
3.3	2
3.4	2
3.5	2
3.6	3
3.7	3
3.8	3
3.9	3
3.10	3
4	4
4.1	4
4.2	4
4.3	4
4.4	4
4.5	4
4.6	4
4.7	4
4.8	4
4.9	4
4.10	5
4.11	JB/T7631	5
4.12	5
4.13	5
4.14	5
5	6
6	6

7

7.2

8

8.1

8.2

8.3

8.4

8.5

8.6

8.7

8.8

.....

.....

.....

.....

1 32 Cortex-M3 ARM

2

PA Pb PC

10 S

15

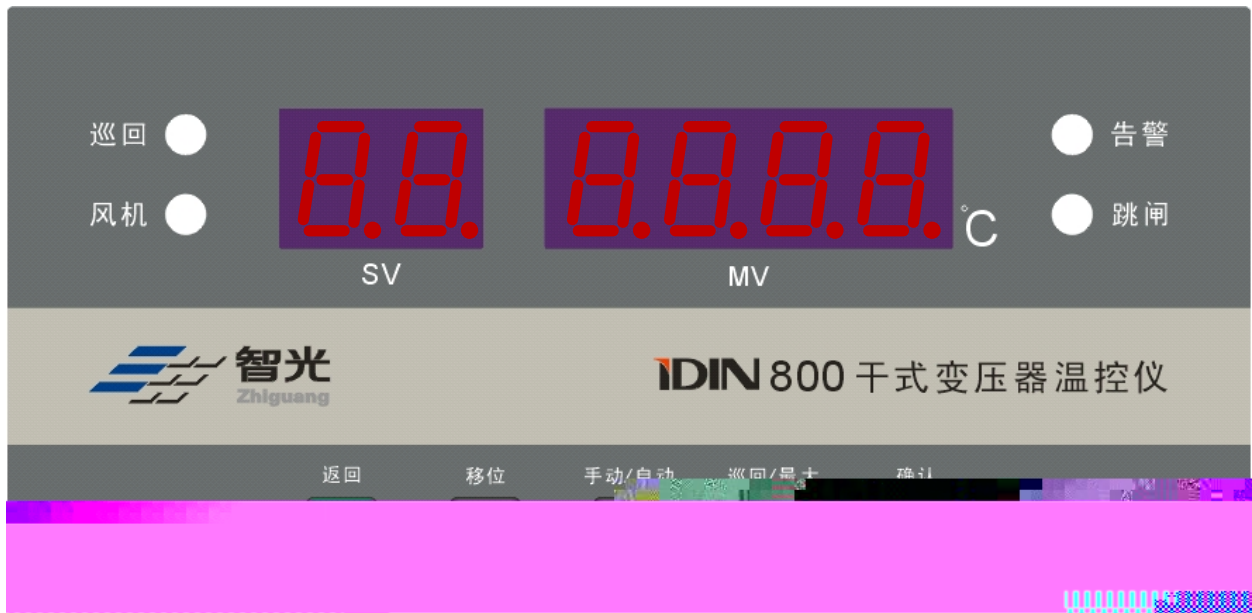
RS485

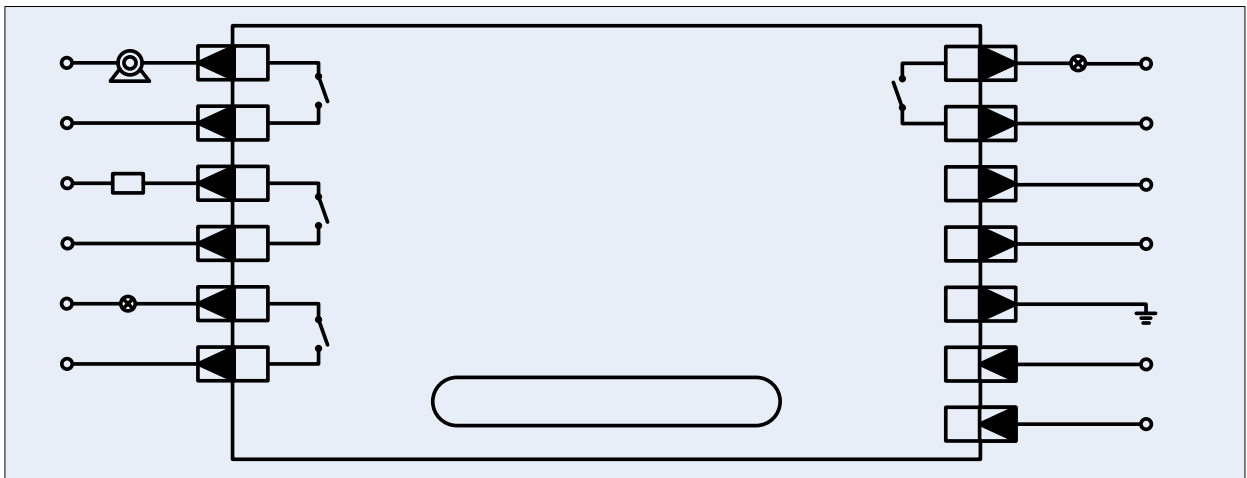
-

1. T4 T3 T2 T1 4 4
2

-

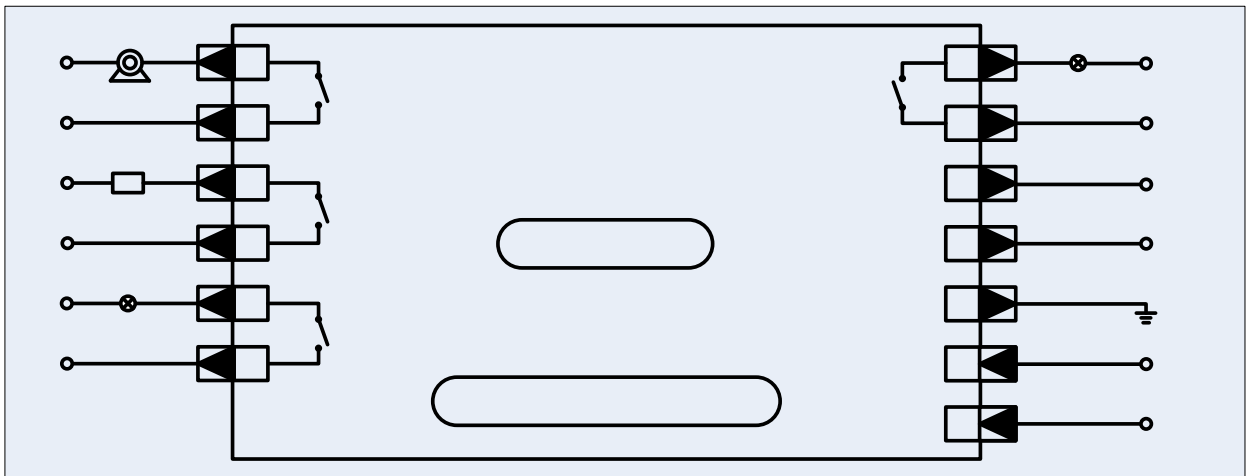
iDIN800-01B		
iDIN800-01C	iDIN800-01B	RS-485
iDIN800-01D	iDIN800-01B	4~20mA





2 iDIN800-01B/C

11 FG



3 iDIN800-01D

11 FG

	SC	iDIN800	
	P+		

	U+			
	H+			
	P+			
	P+			
	P+			
	Er	ErEH	SV MV	
	Er	ErEL	SV MV	
	E+	ErOP	SV MV	
	ES	ErOP	SV MV	
	E+	ErSH	SV MV	
	ES	ErSH	SV MV	
	Er	ErCO	SV MV	
	Er	ErAd	SV MV	
	Er	ErSF	SV MV	
	Er	ErrP	SV MV	
	Er	ErFE	SV MV	
	Er	ErFS	SV MV	
	Er	ErAn	SV MV	

1

2

Down

1  / Esc2  / Shift3 /  / Up

1

4 /  / Down

1

5



5

1		C1	bHCS		C1 1 bHCS
2		C1	9009	9009	
3		FC	080.0	80.0	T1 0.0~200.0
4		FS	100.0	100.0	T2 0.0~200.0
5		AL	130.0	130.0	T3 0.0~200.0
6		AH	150.0	150.0	T4 0.0~200.0
7		FC	080.0		
8					

1. $T4 > T3 > T2 > T1 + 4$ 4

2.

6

1		C2	FJCS		C2 2 FJCS
2		C2	9009		

9009

3	Ft	000	0	0~200 0
4	FO	05	5	2~60
5	Ft	0000		
6				

				9009	
3		S1	080.0	80.0	
4		S1	100.0	100.0	
5		S1	130.0	130.0	
6		S1	150.0	150.0	
7		S1	240.0	240	
8		S1	239.8	-20~240	
9		S1	149.4	150.0	
10		S1	129.4	130.0	
11		S1	79.9	80	
12					

1

2

3

0.3

0.5

9

”

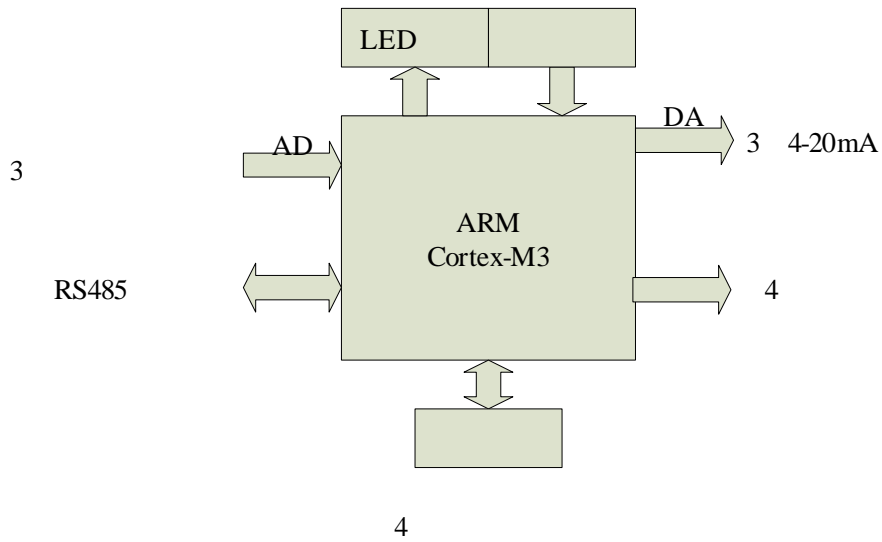
1		C5	rdJL		C5 5 rdJL
2		C5	9009	9009	
3		rA	XXX.X	A	
4		rb	XXX.X	B	
5		rC	XXX.X	C	
6					

10

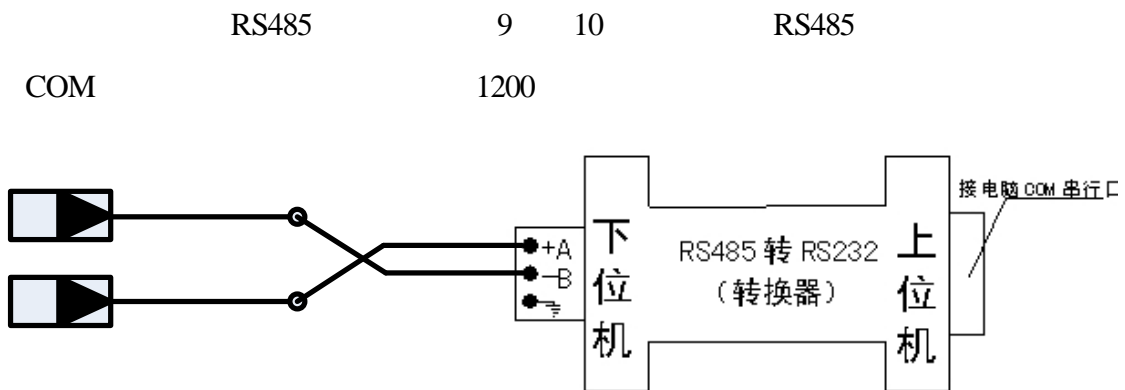
1		C7	UAdJ		C7 7 UAdJ
2		C7	9009	9009	
4		PA	26.2	A	1 *
	a	bA	0.0	A 0	-
	b	bA	*xx.x	A	
	c	PA	*##.#	A	2 x
5		PB	26.2	B	3 -20.0 ~
6	B C				20.0 4
7					

11

1		C8	InFO		C8 8 InFO
2		EU	0001	MV	
		11	1031	2011 10 31	
3					



- 1. iDIN800-01B RS-485
- 2. Windows
- 3. 32 1200
- 4.

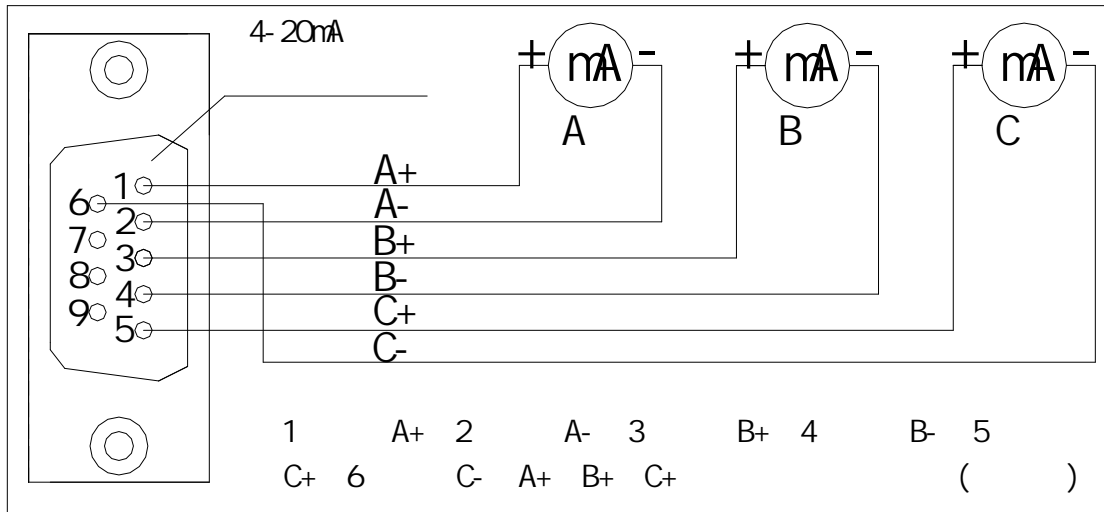


iDIN800-01C

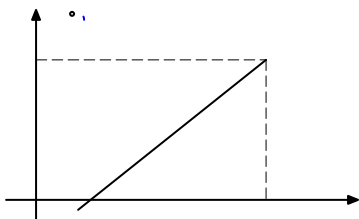
iDIN800-01B

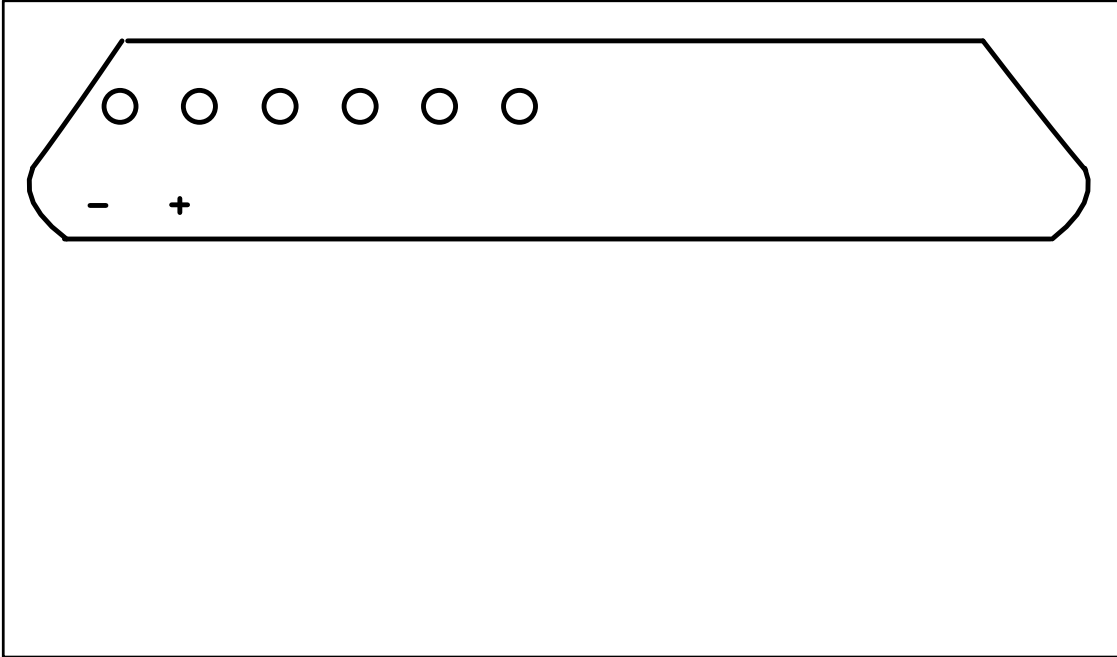
4 20mA

A/D



iDIN800-01D 4 20mA





32113398

32113456



32113398

32113456

